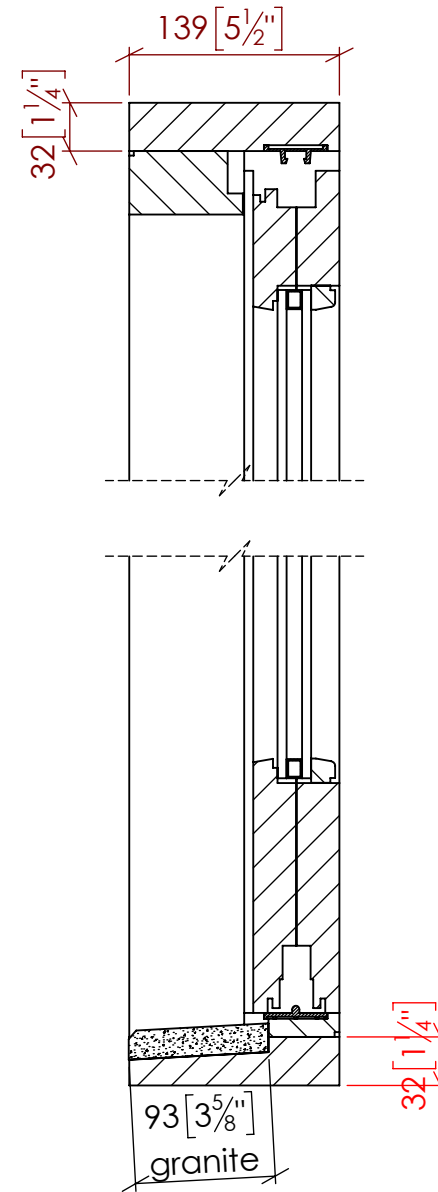
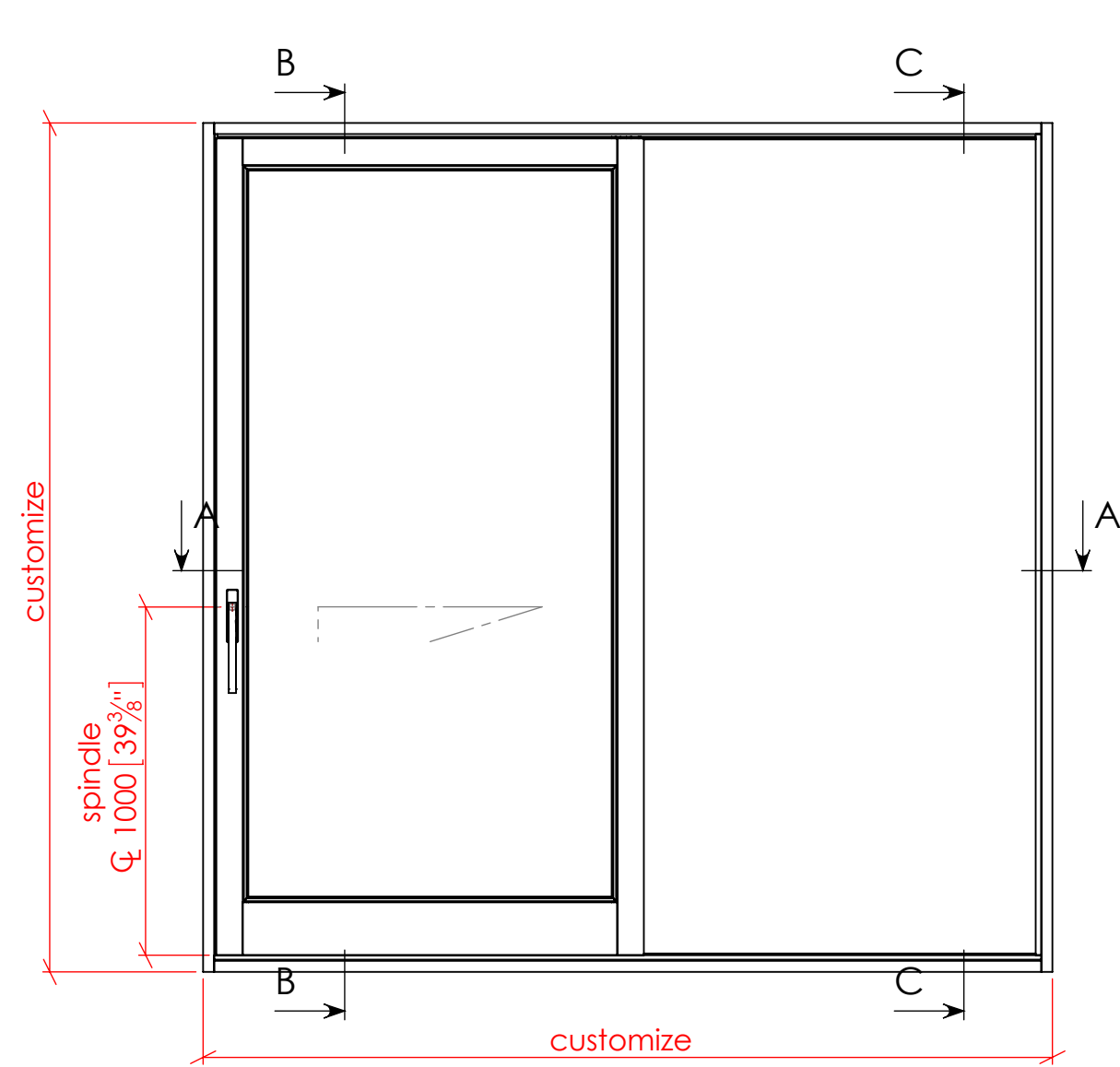
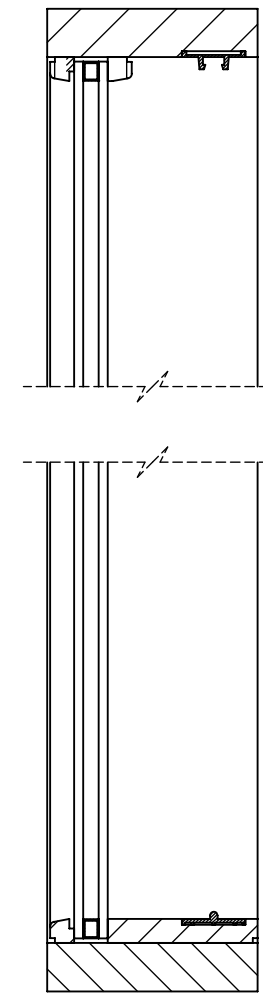


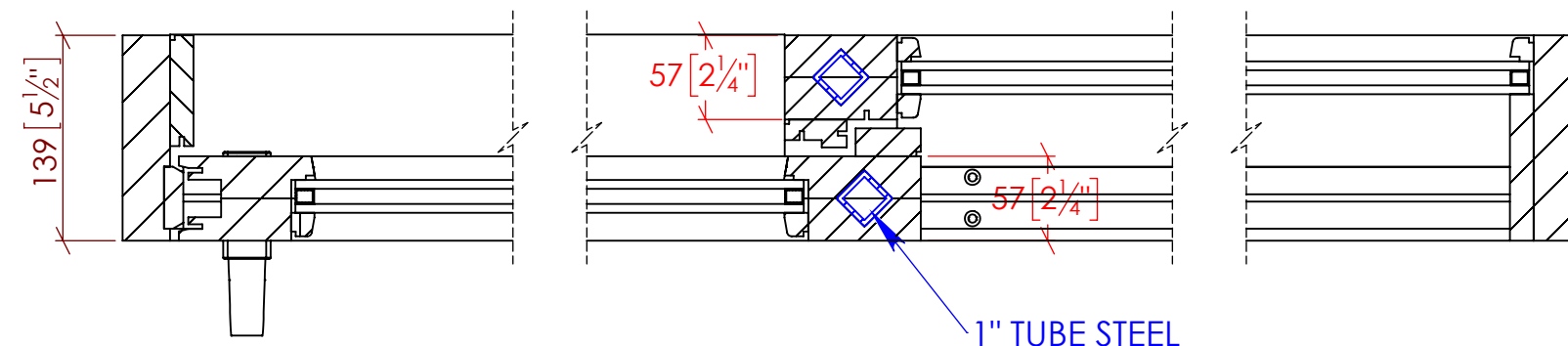
ATTENTION! All Bauhaus drawings are first angle projection **INTERIOR VIEWS ONLY**, unless otherwise specified!



SECTION B-B
SCALE 1 : 5



SECTION C-C
SCALE 1 : 5



SECTION A-A
SCALE 1 : 5

Bauhaus Doors

Project & contract #:

Bauhaus Doors

Title: **2 Panel Liftside Slimline**

Client/Architect/Designer
sign off for design intent:

Date:

Contractor/Builder
sign off for perimeter dim:

Date:

Drawn: Tim P.

9/1/2020

RTM: Michael P.

WOOD:

FINISH:

HARDWARE:

AGB liftside gear and carriage. Dirigent lever in aluminum.

GLASS:

clear tempered low-e LOF + argon glazing;